

D-SUB Series

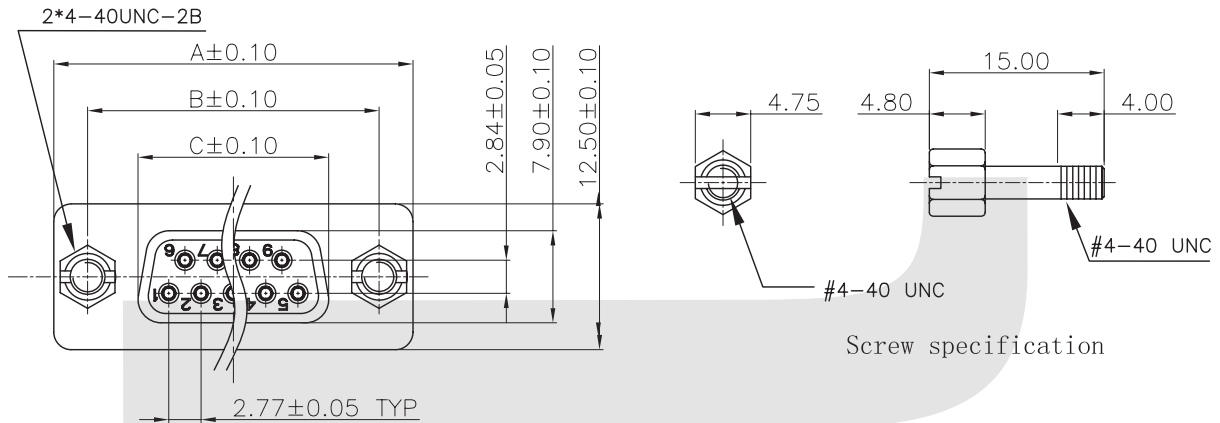
KLS1-185 MINI ADAPTOR DB 9-25Pin Female-Female

Electrical Specification:

Current Rating: 2 AMP
 Insulator Resistance: 5000M ohms min. at DC 500V
 Contact Resistance: 20m ohms max. at DC 100mA
 Operating Temperature: -55°C~+105°C

Material:

Housing: 30% Glass filled PBT UL94V-0
 Contacts: Phosphor Bronze
 Shell: Steel, 100u" Tin Over 50u" min Nickel
 Clinch Nut: Brass, 100u" min Nickel Plated
 Screwlock: Brass, 100u" min Nickel Plated



PIN NO.	DIM A	DIM B	DIM C
9P	30.80	24.99	16.35
15P	39.20	33.30	24.70
25P	53.05	47.04	38.40
37P	69.32	63.50	54.80

ORDER INFORMATION

Product NO.: KLS1-185-XXF/XXF -L

Pos. NO.
001=001 pos.

Contact Number of Row
185=2 Row Type

L=Blue B=Black

Number of Contacts
 9M/9M 15M/15M 25M/25M
 9F/9F 15F/15F 25F/25F
 9M/9F 15M/15F 25M/25F

D-SUB Series

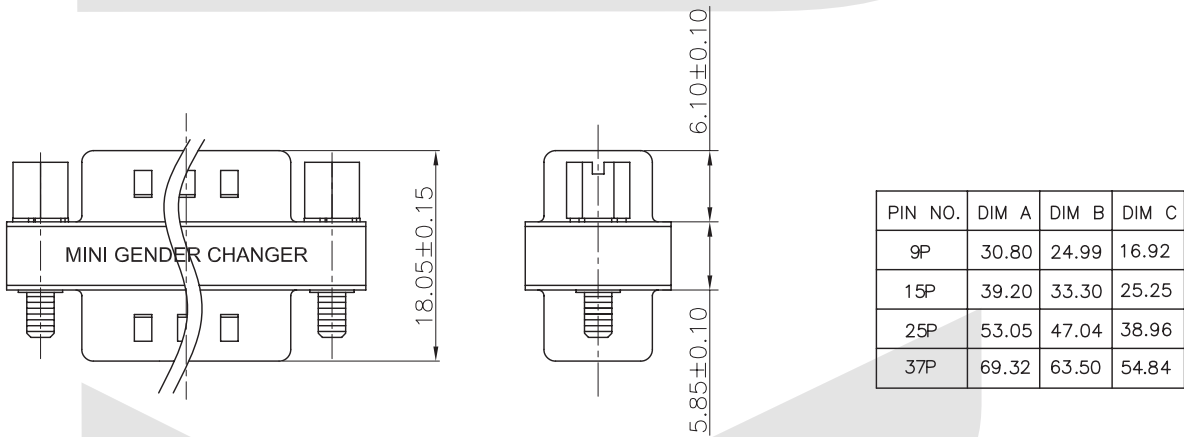
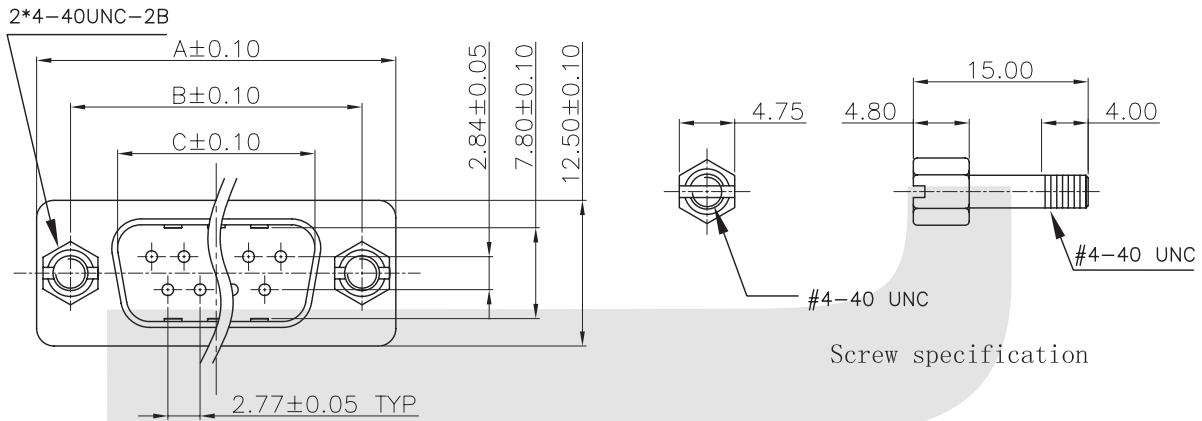
KLS1-185M MINI ADAPTOR DB 9-25Pin Male-Male

Electrical Specification:

Current Rating: 2 AMP
 Insulator Resistance: 5000M ohms min. at DC 500V
 Contact Resistance: 20m ohms max. at DC 100mA
 Operating Temperature: -55°C~+105°C

Material:

Housing: 30% Glass filled PBT UL94V-0
 Contacts: Phosphor Bronze
 Shell: Steel, 100u" Tin Over 50u" min Nickel
 Clinch Nut: Brass, 100u" min Nickel Plated
 Screwlock: Brass, 100u" min Nickel Plated



ORDER INFORMATION

Product NO.: KLS1-185-XXM/XXM -L

Pos. NO.
001=001 pos.

Contact Number of Row
185=2 Row type

L=Blue B=Black

Number of Contacts
 9M/9M 15M/15M 25M/25M
 9F/9F 15F/15F 25F/25F
 9M/9F 15M/15F 25M/25F

D-SUB Series

KLS1-185M-F MINI ADAPTOR DB 9-25Pin Male-Female

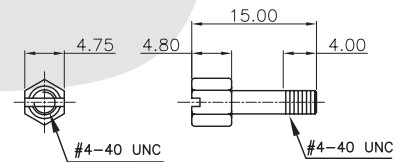
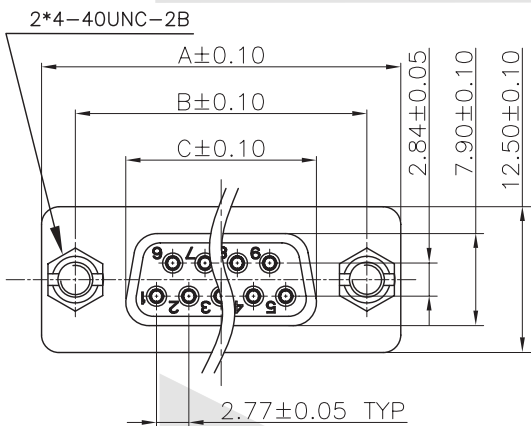
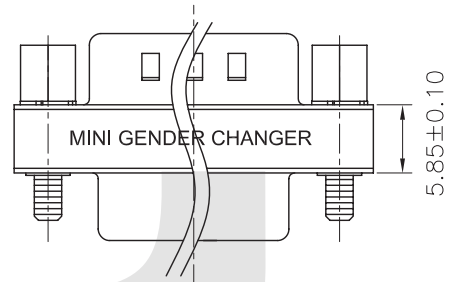
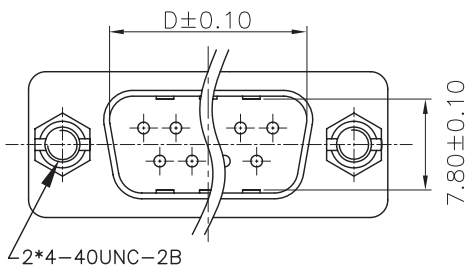


Electrical Specification:

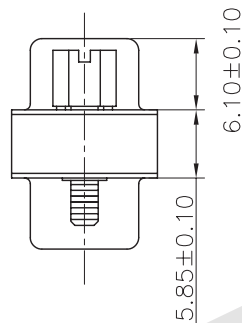
Current Rating: 2 AMP
 Insulator Resistance: 5000M ohms min. at DC 500V
 Contact Resistance: 20m ohms max. at DC 100mA
 Operating Temperature: -55°C~+105°C

Material:

Housing: 30% Glass filled PBT UL94V-0
 Contacts: Phosphor Bronze
 Shell: Steel, 100u" Tin Over 50u" min Nickel
 Clinch Nut: Brass, 100u" min Nickel Plated
 Screwlock: Brass, 100u" min Nickel Plated



Screw specification



PIN NO.	DIM A	DIM B	DIM C
9P	30.80	24.99	16.35
15P	39.20	33.30	24.70
25P	53.05	47.04	38.40
37P	69.32	63.50	54.80

ORDER INFORMATION

Product NO.: KLS1-185 - XXM/XXF -L

Pos. NO.
001=001 pos.

Contact Number of Row
185=2 Row Type

L=Blue B=Black

Number of Contacts
 9M/9M 15M/15M 25M/25M
 9F/9F 15F/15F 25F/25F
 9M/9F 15M/15F 25M/25F

D-SUB Series

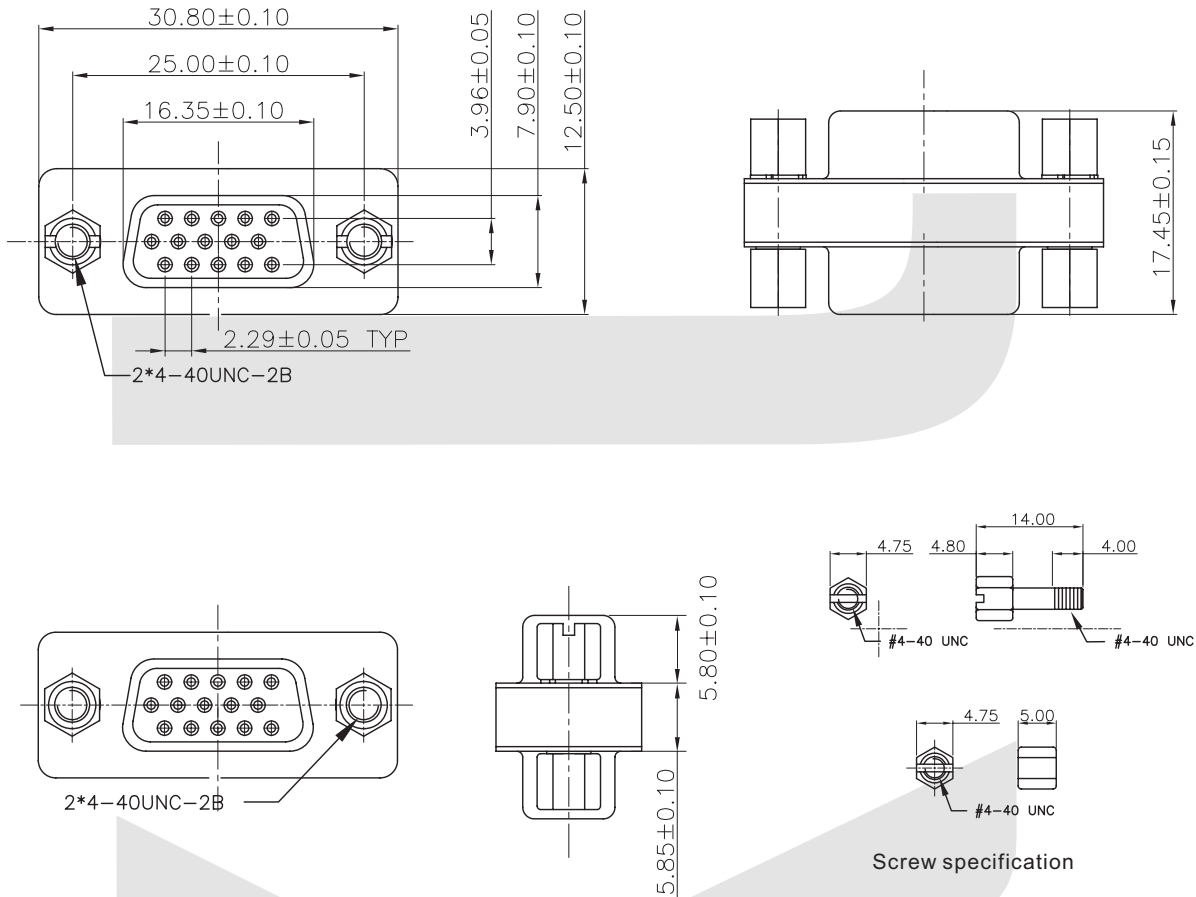
KLS1-186 MINI ADAPTOR HDB 9-25Pin Female-Female

Electrical Specification:

Current Rating: 2 AMP
 Insulator Resistance: 5000M ohms min. at DC 500V
 Contact Resistance: 20m ohms max. at DC 100mA
 Operating Temperature: -55°C~+105°C

Material:

Housing: 30% Glass filled PBT UL94V-0
 Contacts: Phosphor Bronze
 Shell: Steel, 100u" Tin Over 50u" min Nickel
 Clinch Nut: Brass, 100u" min Nickel Plated
 Screwlock: Brass, 100u" min Nickel Plated



ORDER INFORMATION

Product NO.: KLS1- 186 - XXF/XXF -L

Pos. NO. 001=001 pos. L=Blue B=Black
 Contact Number of Row 186=3 Row Type Number of Contacts 15M/15M 15F/15F 15M/15F

Connector

D-SUB Series

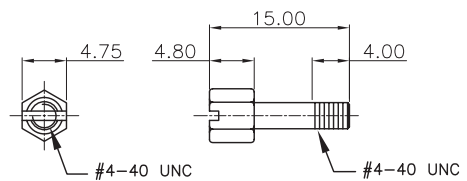
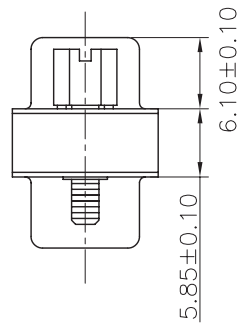
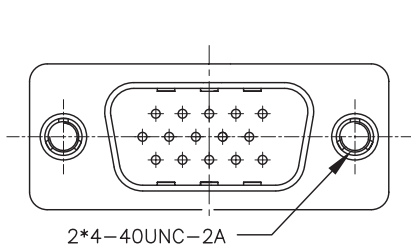
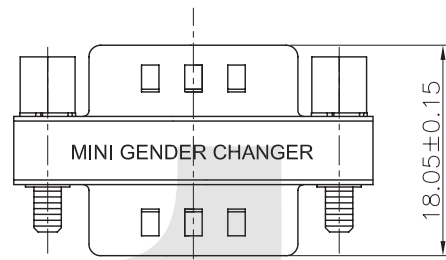
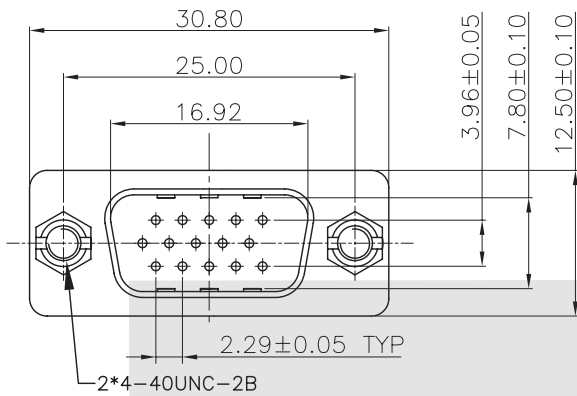
KLS1-186 MINI ADAPTOR HDB 9-25Pin Male-Male

Electrical Specification:

Current Rating: 2 AMP
 Insulator Resistance: 5000M ohms min. at DC 500V
 Contact Resistance: 20m ohms max. at DC 100mA
 Operating Temperature: -55°C~+105°C

Material:

Housing: 30% Glass filled PBT UL94V-0
 Contacts: Phosphor Bronze
 Shell: Steel, 100u" Tin Over 50u" min Nickel
 Clinch Nut: Brass, 100u" min Nickel Plated
 Screwlock: Brass, 100u" min Nickel Plated



Screw specification

ORDER INFORMATION

Product NO.: KLS1-186-15M/15M -L

Pos. NO.
001=001 pos.

L=Blue B=Black

Contact Number of Row
186=3 Row Type

Number of Contacts
15M/15M 15F/15F 15M/15F

D-SUB Series

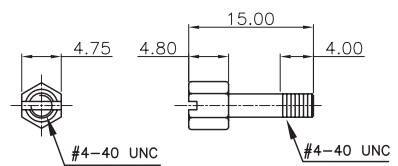
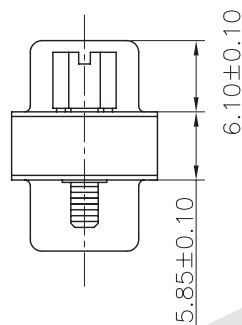
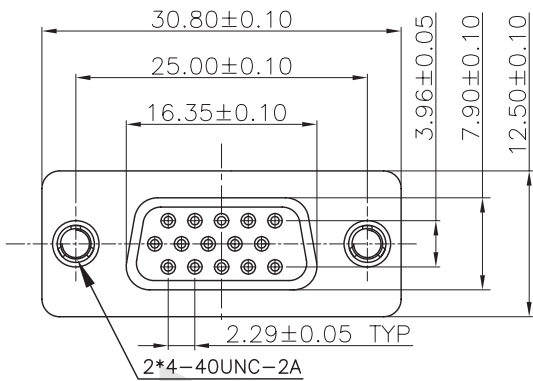
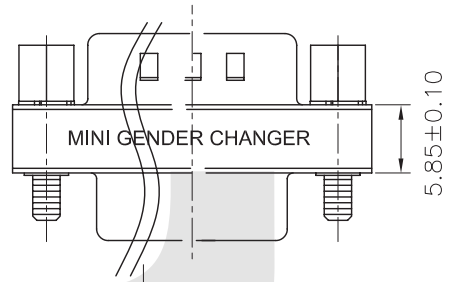
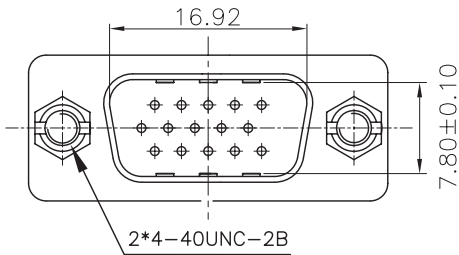
KLS1-186 MINI ADAPTOR HDB 9-25Pin Male-Female

Electrical Specification:

Current Rating: 2 AMP
 Insulator Resistance: 5000M ohms min. at DC 500V
 Contact Resistance: 20m ohms max. at DC 100mA
 Operating Temperature: -55°C~+105°C

Material:

Housing: 30% Glass filled PBT UL94V-0
 Contacts: Phosphor Bronze
 Shell: Steel, 100u" Tin Over 50u" min Nickel
 Clinch Nut: Brass, 100u" min Nickel Plated
 Screwlock: Brass, 100u" min Nickel Plated



Screw specification

ORDER INFORMATION

Product NO.: KLS1-186 - 15M/15F -L

Pos. NO.
001=001 pos.

Contact Number of Row
186=3 Row Type

L=Blue B=Black

Number of Contacts
15M/15M 15F/15F 15M/15F